

HS series

HS 80M / HS 50M

POWERED MONITOR SPEAKER

HS80M/HS50M

SERVICE MANUAL



■ CONTENTS (目次)

HS80M SPECIFICATIONS (総合仕様)	3
HS50M SPECIFICATIONS (総合仕様)	4
DIMENSIONS (寸法図)	5
PANEL LAYOUT (パネルレイアウト)	6
CIRCUIT BOARD LAYOUT (ユニットレイアウト)	7
HS80M DISASSEMBLY PROCEDURE (分解手順)	8
HS50M DISASSEMBLY PROCEDURE (分解手順)	11
CIRCUIT BOARDS (シート基板図)	14
HS80M INSPECTIONS (検査)	15
HS50M INSPECTIONS (検査)	16
BLOCK DIAGRAM (ブロックダイアグラム)	
OVERALL CIRCUIT DIAGRAM (総回路図)	
PARTS LIST	



このサービスマニュアルはエコバルブ
エコバルブ (ECF: 無塩素系漂白バルブ) を使用しています。

PA 011806

HS80M: 200510-47250
HS50M: 200510-26250



HAMAMATSU, JAPAN

Copyright (c) Yamaha Corporation. All rights reserved. PDF M VIDEO Printed in Japan '05.12

IMPORTANT NOTICE

This manual has been provided for the use of authorized Yamaha Retailers and their service personnel. It has been assumed that basic service procedures inherent to the industry, and more specifically Yamaha Products, are already known and understood by the users, and have therefore not been restated.

WARNING : Failure to follow appropriate service and safety procedures when servicing this product may result in personal injury, destruction of expensive components and failure of the product to perform as specified. For these reasons, we advise all Yamaha product owners that all service required should be performed by an authorized Yamaha Retailer or the appointed service representative.

IMPORTANT : This presentation or sale of this manual to any individual or firm does not constitute authorization, certification, recognition of any applicable technical capabilities, or establish a principal-agent relationship of any form.

The data provided is believed to be accurate and applicable to the unit (s) indicated on the cover. The research engineering, and service departments of Yamaha are continually striving to improve Yamaha products. Modifications are, therefore, inevitable and changes in specification are subject to change without notice or obligation to retrofit. Should any discrepancy appear to exist, please contact the distributor's Service Division.

WARNING : Static discharges can destroy expensive components. Discharge any static electricity your body may have accumulated by grounding yourself to the ground bus in the unit (heavy gauge black wires connect to this bus).

IMPORTANT : Turn the unit OFF during disassembly and parts replacement. Recheck all work before you apply power to the unit.

WARNING: CHEMICAL CONTENT NOTICE!

The solder used in the production of this product contains LEAD. In addition, other electrical/electronic and/or plastic (Where applicable) components may also contain traces of chemicals found by the California Health and Welfare Agency (and possibly other entities) to cause cancer and/or birth defects or other reproductive harm.

DO NOT PLACE SOLDER, ELECTRICAL/ELECTRONIC OR PLASTIC COMPONENTS IN YOUR MOUTH FOR ANY REASON WHATSOEVER SO EVER!

Avoid prolonged, unprotected contact between solder and your skin! When soldering, do not inhale solder fumes or expose eyes to solder/flux vapor!

If you come in contact with solder or components located inside the enclosure of this product, wash your hands before handling food.

WARNING: THIS APPARATUS MUST BE EARTHED

IMPORTANT

THE WIRES IN THIS MAINS LEAD ARE COLOURED IN ACCORDANCE WITH THE FOLLOWING CODE:

GREEN-AND-YELLOW :	EARTH
BLUE :	NEUTRAL
BROWN :	LIVE


As the colours of the wires in the mains lead of this apparatus may not correspond with the coloured markings identifying the terminals in your plug, proceed as follows:


The wire which is coloured GREEN and YELLOW must be connected to the terminal in the plug which is marked by the letter E or by the safety earth symbol or coloured GREEN and YELLOW.

The wire which is coloured BLUE must be connected to the terminal which is marked with the letter N or coloured BLACK.

The wire which is coloured BROWN must be connected to the terminal which is marked with the letter L or coloured RED.

■ WARNING

Components having special characteristics are marked  and must be replaced with parts having specification equal to those originally installed.

印の部品は、安全を維持するために重要な部品です。交換する場合は、安全のために必ず指定の部品をご使用ください。

* This applies only to products distributed by YAMAHA KEMBLE MUSIC (U.K.) LTD.

■ HS80M SPECIFICATIONS (総合仕様)

General specifications

Type	Biamp 2-way Powered speaker
Crossover Frequency	2 kHz
Overall Frequency Response	42 Hz-20 kHz (-10 dB)
Dimensions (W x H x D)	250 x 390 x 332 mm (9-13/16" x 15-3/8" x 13-1/6")
Weight	11.3 kg

Speaker Components

Speaker Components	LF: 8" Cone (Magnetic shielding Type) HF: 1" Dome (Magnetic shielding Type)
Enclosure	Type: Bass-reflex Type Material: MDF

Amp. unit

Output Power	Total: 120 W (dynamic power) (LF: 75 W, 4 ohms, 1 kHz) (HF: 45 W, 8 ohms, 10 kHz)
Input Sensitivity/Impedance	-10 dBu/ 10 k-ohms
Input Connectors (parallel)	1: XLR-3-31 type (balanced) 2: PHONE (balanced)
Controls	LEVEL control (+4 dB/ center click) LOW CUT switch (FLAT/ 80/ 100 Hz, 12 dB/ octave) MID EQ switch (+/- 2 dB at 2 kHz) HIGH TRIM switch (+/- 2 dB at HF) ROOM CONTROL switch (0/ -2/ -4 dB under 500 Hz)
Power Indicator	Power ON: White LED
Power Consumption	60 W

● 総合仕様

形式	バイ・アンプ2ウェイパワード・スピーカー
クロスオーバー周波数	2 kHz
再生周波数帯域	42 Hz~20 kHz (-10 dB)
最大外形寸法(W×H×D)	250×390×332 mm
質量	11.3 kg

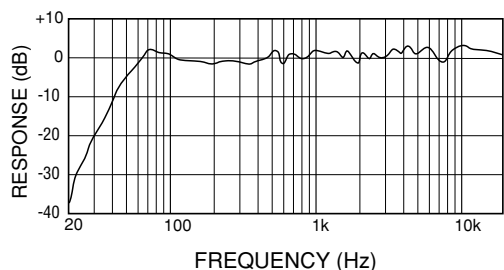
● スピーカー部

スピーカーユニット	LF: 20 cmコーン(防磁型) HF: 2.5 cmドーム(防磁型)
エンクロージャー	方式: バスレフ型 材質: MDF

● アンプ部

最大出力	総合: 120 W(ダイナミックパワー) (LF: 75 W、4 ohms、1 kHz) (HF: 45 W、8 ohms、10 kHz)
入力感度/インピーダンス	-10 dBu/ 10 k-ohms
入力端子(パラレル)	1: XLR-3-31タイプ端子(バランス) 2: フォーン端子(バランス)
コントロール	LEVELコントロール(+4 dB/ center click) LOW CUT スイッチ(FLAT/ 80/ 100 Hz、12 dB/ octave) MID EQ スイッチ(+/- 2 dB at 2 kHz) HIGH TRIM スイッチ(+/- 2 dB at HF) ROOM CONTROL スイッチ(0/-2/-4 dB under 500Hz)
インジケータ	電源ON: 白色LED
消費電力	60 W

● Performance graph (特性図)



■ HS50M SPECIFICATIONS (総合仕様)

General specifications

Type	Biamp 2-way Powered speaker
Crossover Frequency	3 kHz
Overall Frequency Response	55 Hz-20 kHz (-10 dB)
Dimensions (W x H x D)	165 x 268 x 222 mm (6-1/2" x 10-9/16" x 8-3/4")
Weight	5.8 kg

Speaker Components

Speaker Components	LF: 5" Cone (Magnetic shielding Type) HF: 0.75" Dome (Magnetic shielding Type)
Enclosure	Type: Bass-reflex Type Material: MDF

Amp. unit

Output Power	Total: 70 W (dynamic power) (LF: 45 W, 4 ohms, 1 kHz) (HF: 25 W, 8 ohms, 10 kHz)
Input Sensitivity/Impedance	-10 dBu/ 10 k-ohms
Input Connectors (parallel)	1: XLR-3-31 type (balanced) 2: PHONE (balanced)
Controls	LEVEL control (+4 dB/ center click) LOW CUT switch (FLAT/ 80/ 100 Hz, 12 dB/ octave) MID EQ switch (+/- 2 dB at 2 kHz) HIGH TRIM switch (+/- 2 dB at HF) ROOM CONTROL switch (0/ -2/ -4 dB under 500 Hz)
Power Indicator	Power ON: White LED
Power Consumption	45 W

● 総合仕様

形式	バイ・アンプ2ウェイパワード・スピーカー
クロスオーバー周波数	3 kHz
再生周波数帯域	55 Hz~20 kHz (-10 dB)
最大外形寸法(W×H×D)	165×268×222 mm
質量	5.8 kg

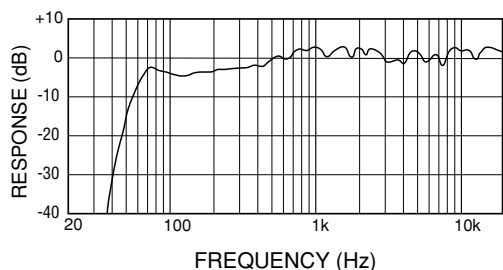
● スピーカー部

スピーカーユニット	LF: 13 cmコーン(防磁型) HF: 2.0 cmドーム(防磁型)
エンクロージャー	方式: バスレフ型 材質: MDF

● アンプ部

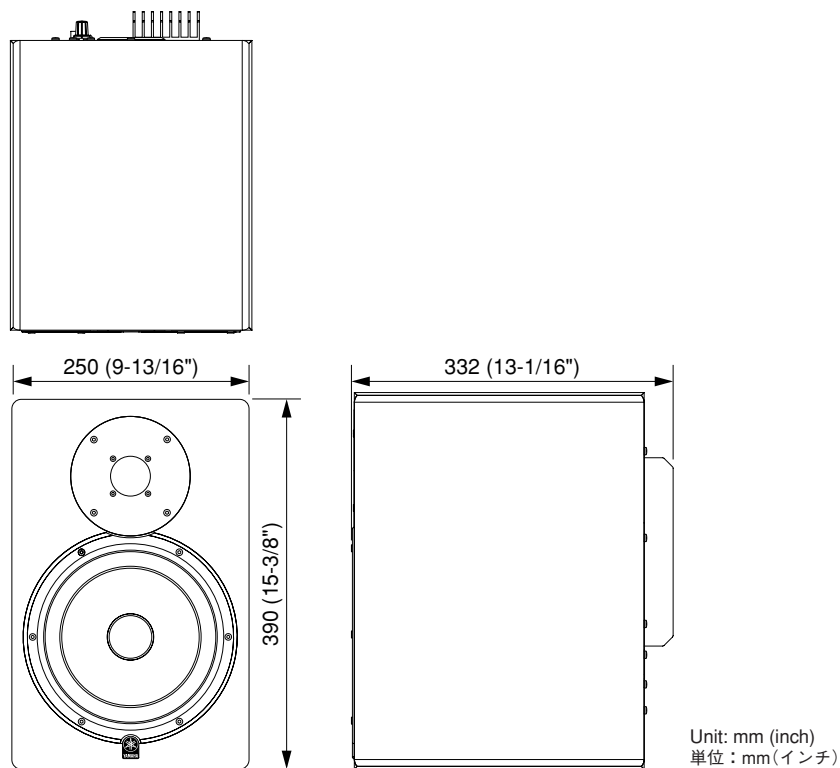
最大出力	総合: 70 W(ダイナミックパワー) (LF: 45 W、4 ohms、1 kHz) (HF: 25 W、8 ohms、10 kHz)
入力端子(パラレル)	1: XLR-3-31タイプ端子(バランス) 2: フォーン端子(バランス)
コントロール	LEVELコントロール(+4 dB/ center click) LOW CUT スイッチ(FLAT/ 80/ 100 Hz、12 dB/ octave) MID EQ スイッチ(+/- 2 dB at 2 kHz) HIGH TRIM スイッチ(+/- 2 dB at HF) ROOM CONTROL スイッチ(0/-2/-4 dB under 500Hz)
インジケータ	電源ON: 白色LED
消費電力	45 W

● Performance graph (特性図)

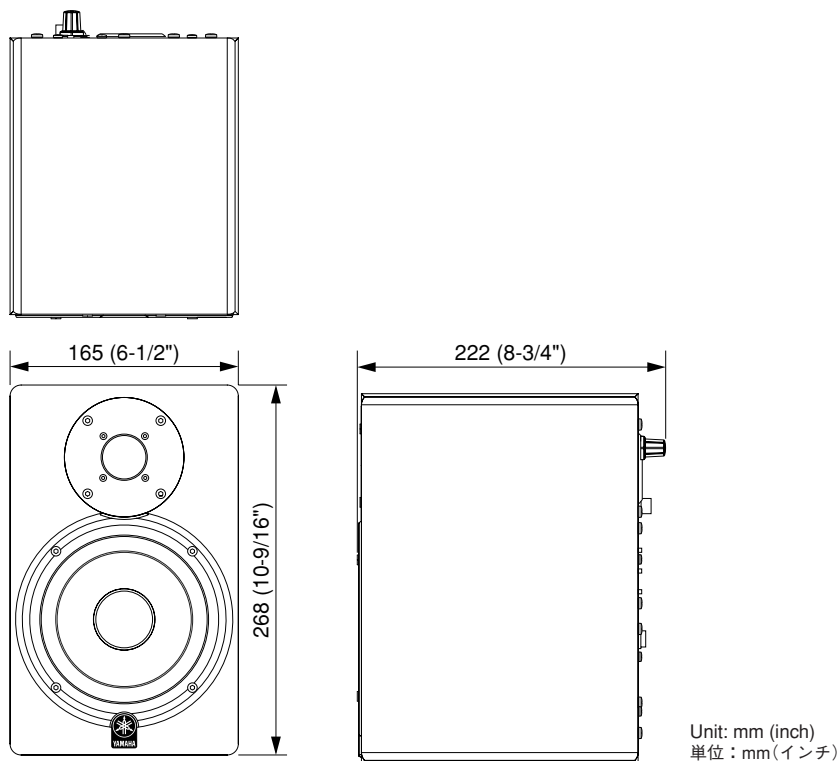


■ DIMENSIONS (寸法図)

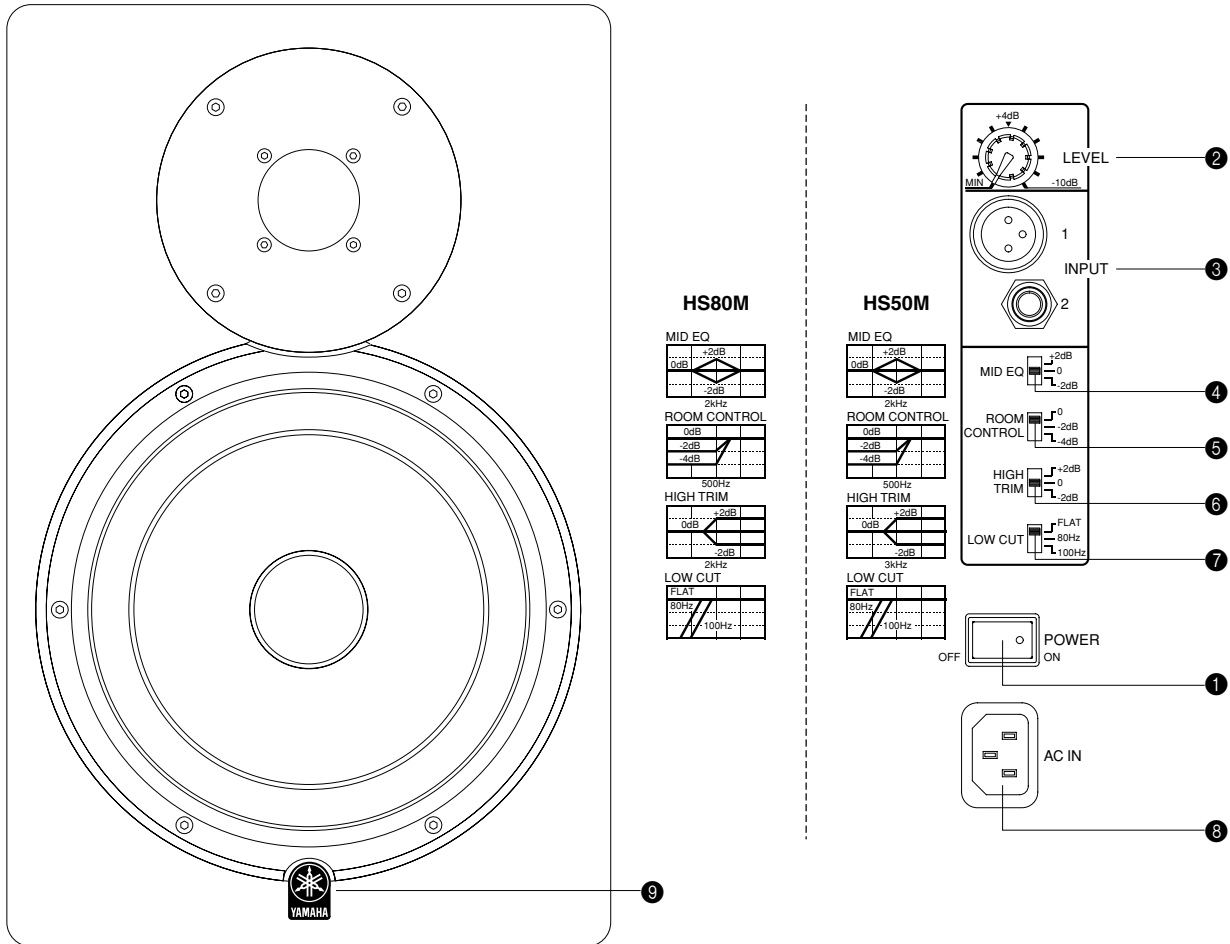
• HS80M



• HS50M



■ PANEL LAYOUT (パネルレイアウト)

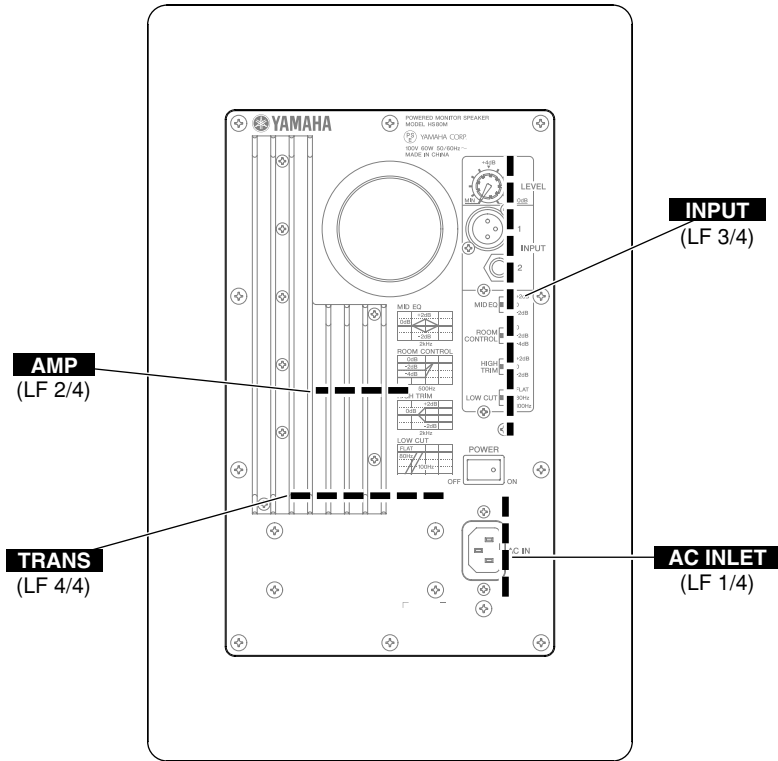


- ① POWER switch
- ② LEVEL control
- ③ INPUT 1, 2 connector
- ④ MID EQ switch
- ⑤ ROOM CONTROL switch
- ⑥ HIGH TRIM switch
- ⑦ LOW CUT switch
- ⑧ AC IN Connector
- ⑨ Power indicator

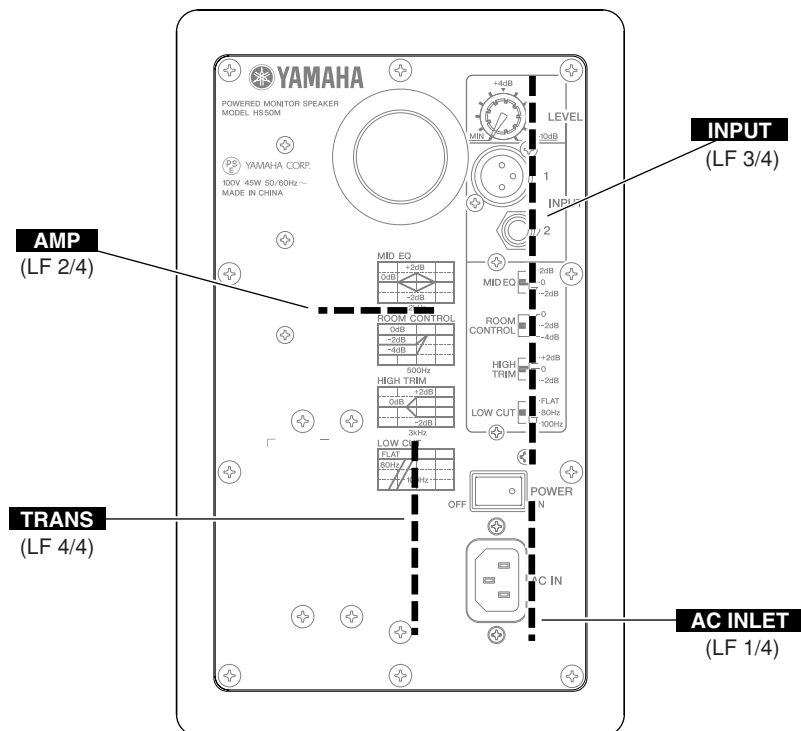
- ① POWER スイッチ
- ② LEVEL コントロール
- ③ INPUT 1、2 端子
- ④ MID EQ スイッチ
- ⑤ ROOM CONTROL スイッチ
- ⑥ HIGH TRIM スイッチ
- ⑦ LOW CUT スイッチ
- ⑧ AC IN 端子
- ⑨ Power インジケータ

CIRCUIT BOARD LAYOUT (ユニットレイアウト)

• HS80M



• HS50M



■ HS80M DISASSEMBLY PROCEDURE (分解手順)

1. Woofer (Time required: about 1 minute)

- 1-1 Remove the six (6) screws marked [55]. The woofer ring can then be removed. (Fig. 1)
- 1-2 Remove the six (6) screws marked [40]. The woofer can then be removed. (Fig. 1)

2. Tweeter (Time required: about 1 minute)

Remove the four (4) screws marked [20]. The tweeter can then be removed. (Fig. 1)

3. Rear Panel Assembly (Time required: about 1 minute)

Remove the ten (10) screws marked [155]. The rear panel assembly can then be removed. (Fig. 2)

4. AMP Circuit Board

(Time required: about 2 minutes)

- 4-1 Remove the rear panel assembly. (See procedure 3.)
- 4-2 Remove the five (5) screws marked [90]. The AMP unit can then be removed. (Fig. 2)
- * At this time, be careful not to lose the spacer which also comes off.

1. ウーファー (所要時間: 約1分)

- 1-1 [55]の六角孔付きボルトを6本外し、ウーファーリングを外します。(図1)
- 1-2 [40]のネジを6本外し、ウーファーを外します。(図1)

2. ツィーター (所要時間: 約1分)

[20]の六角孔付きボルトを4本外し、ツィーターを外します。(図1)

3. リアパネルAss'y (所要時間: 約1分)

[155]のネジを10本外し、リアパネルAss'yを外します。(図2)

4. AMPシート (所要時間: 約2分)

- 4-1 リアパネルAss'yを外します。(3項参照)
- 4-2 [90]のネジを5本外し、AMPユニットを外します。(図2)
- * このとき、スペーサーも同時に外れますのでなくさないよう注意してください。

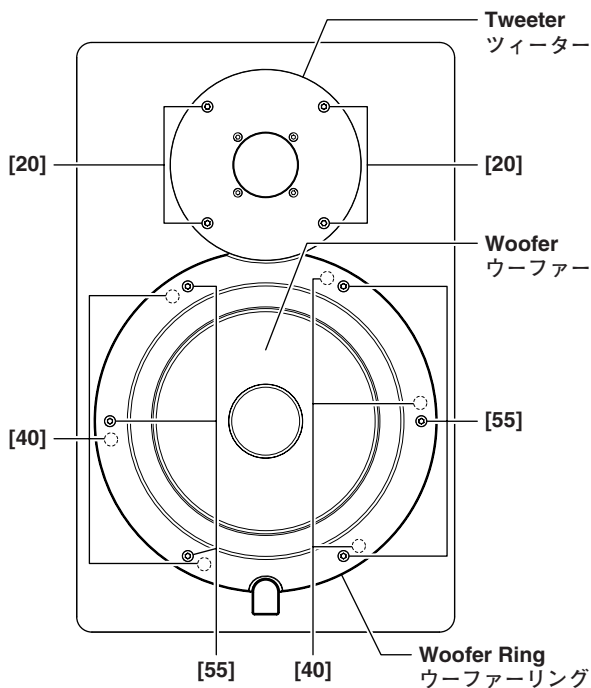


Fig. 1 (図1)

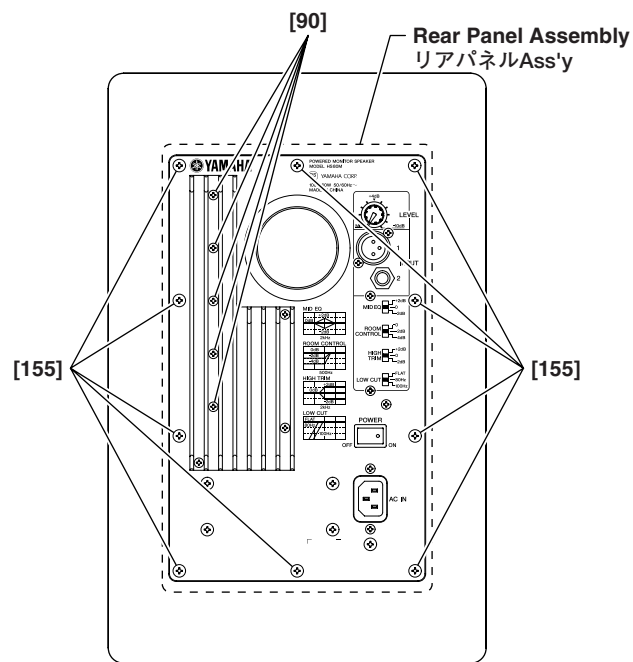


Fig. 2 (図2)

[20]: Hexagonal Socket Tapping Screw 4x20 (WG341100) 6角穴付き TP1種

[40]: Bind Head Tapping Screw 4x16 (WG540200) +バインド TP1種

[55]: Hexagonal Socket Tapping Screw 4x20 (WG341100) 6角穴付き TP1種

[90]: Bind Head Tapping Screw-S 3x16 (WG341600) +バインドSタイト

[155]: Bind Head Tapping Screw 4x16 (WG540200) +バインド TP1種

HS80M

- 4-3 Unsolder soldered parts (22 locations) on the pattern side of IC801 and IC802. (Photo. 1)
- 4-4 Remove the two (2) screws marked [A] and remove the heat sink with IC801 and IC802. (Photo. 1)
Remove the two (2) screws marked [B] and remove IC801 and IC802. (Photo. 1)
- 4-5 Remove the four (4) screws marked [C], remove the AMP mounting bracket. The AMP circuit board can then be removed. (Photo. 1)

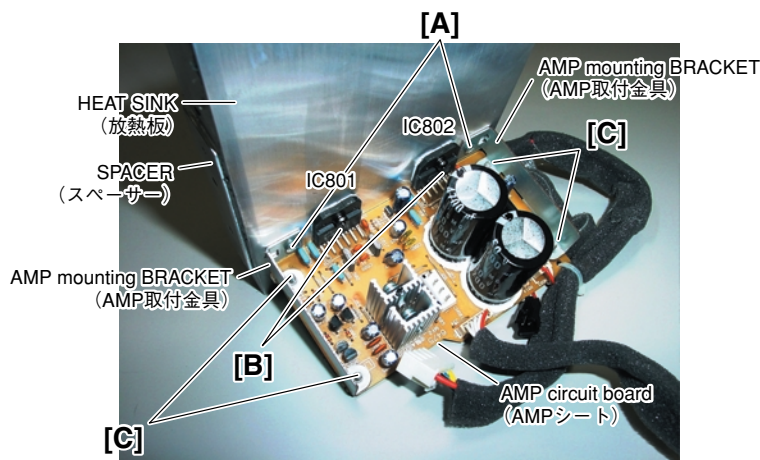


Photo. 1 (写真 1)
<AMP Unit>
<AMPユニット>

- 4-3 IC801とIC802のパターン側のハンダ(22カ所)を外します。(写真1)
- 4-4 [A]のネジ2本を外し、放熱板(IC801、IC802付)を外します。(写真1)
[B]のネジ2本を外し、IC801とIC802を外します。(写真1)
- 4-5 [C]のネジ4本を外し、AMP取付金具を外してAMPシートを取り出します。(写真1)

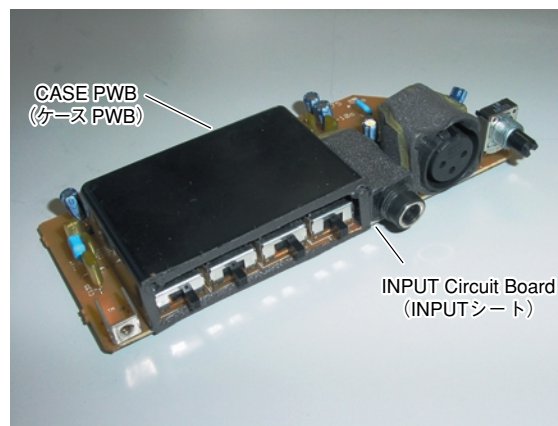


Photo. 2 (写真 2)
<INPUT Assembly>
<INPUT Ass'y>

5. INPUT Circuit Board

(Time required: about 3 minutes)

- 5-1 Remove the rear panel assembly. (See procedure 3.)
- 5-2 Remove the four (4) screws marked [110] and the screw marked [115]. (Fig. 3)
- 5-3 Remove the LEVEL knob, the hexagonal nut [E] and washer [D]. (Fig. 3, Photo. 5)
- 5-4 Remove the hexagonal nut [F] on the phone type input connector. The INPUT assembly can then be removed. (Photo. 5)
- 5-5 Remove the three (3) screws marked [G] and remove the case PWB. (Photo. 3)

The Input circuit board can then be removed.

- * The case PWB is not a component of the INPUT circuit board. When replacing the INPUT circuit board, remove the case PWB and reuse it.

5. INPUTシート (所要時間：約3分)

- 5-1 リアパネルAss'yを外します。(3項参照)
- 5-2 [110]のネジ4本と[115]のネジ1本を外します。(図3)
- 5-3 LEVELつまみと[E]の六角ナットおよび[D]のワッシャを外します。(図3、写真5)
- 5-4 フォーンタイプ入力端子の六角ナット[F]を外し、INPUT Ass'yを外します。(写真5)
- 5-5 [G]のネジを3本外してケースPWBを外し、INPUTシートを取り出します。(写真3)
- * ケースPWBはINPUTシートの構成部品ではありません。シート交換時には、取外して使用してください。

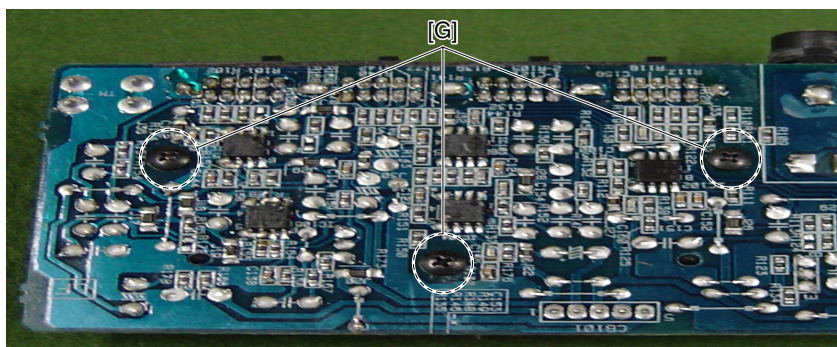


Photo. 3 (写真 3)

6. TRANS Circuit Board and Power Transformer (Time required: about 2 minutes)

- 6-1 Remove the rear panel assembly. (See procedure 3.)
- 6-2 Remove the four (4) screws marked [130]. The TRANS circuit board with the power transformer can then be removed. (Fig. 3)
- 6-3 Unsolder the power transformer mounting solder (6 locations) and separate the power transformer from the TRANS circuit board.
- * The power transformer is not a component of the TRANS circuit board.

7. AC INLET Circuit Board (Time required: about 2 minutes)

- 7-1 Remove the rear panel assembly. (See procedure 3.) Unsold soldered parts (2 locations) of the power switch.
- 7-2 Remove the two (2) screws marked [150]. (Fig. 3)
- 7-3 Unsold the soldered part of the AC inlet grounding wire and remove the AC INLET circuit board. (Photo. 4)

6. TRANSシート/電源トランス (所要時間：約2分)

- 6-1 リアパネルAss'yを外します。(3項参照)
- 6-2 [130]のネジを4本外し、TRANSシート(電源トランス付)を外します。(図3)
- 6-3 電源トランス取付ハンダ(6カ所)を外して、TRANSシートと電源トランスを分離します。
- * 電源トランスはTRANSシートの構成部品ではありません。

7. AC INLETシート(所要時間：約2分)

- 7-1 リアパネルAss'yを外します。(3項参照) 電源スイッチのハンダを外します。
- 7-2 [150]のネジを2本外します。(図3)
- 7-3 AC INLETのアース線のハンダを外し、AC INLETシートを外します。(写真4)

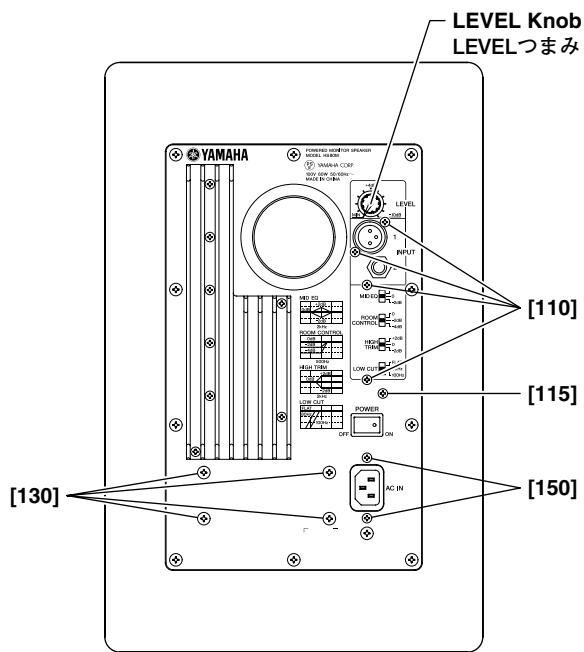


Fig. 3 (図3)

- [110]: Bind Head Tapping Screw-S 3x10 (WG341400) + バインドSタイト
- [115]: Bonding Tapping Screw-B 3x10 (WH042000) + ボンディングBタイト
- [130]: Bind Head Tapping Screw-S 4x10 (WG341300) + バインドSタイト
- [150]: Bind Head Screw-S 3x15 (WG341500) + バインド小ネジ

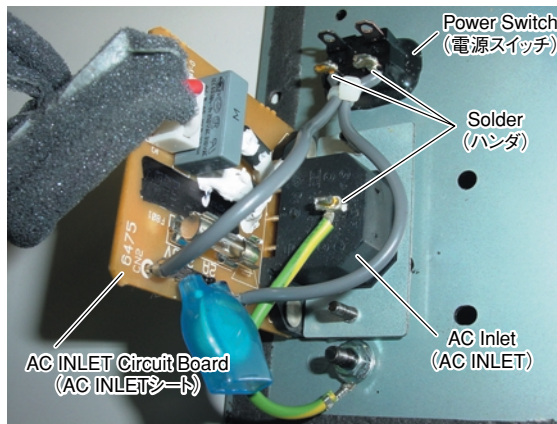


Photo. 4 (写真4)



Photo. 5 (写真5)

HS50M DISASSEMBLY PROCEDURE (分解手順)

1. Woofer (Time required: about 1 minute)

- 1-1 Remove the four (4) screws marked [55]. The woofer ring can then be removed. (Fig. 1)
- 1-2 Remove the four (4) screws marked [40]. The woofer can then be removed. (Fig. 1)

2. Tweeter (Time required: about 1 minute)

Remove the four (4) screws marked [20]. The tweeter can then be removed. (Fig. 1)

3. Rear Panel Assembly (Time required: about 1 minute)

Remove the ten (10) screws marked [155]. The rear panel assembly can then be removed. (Fig. 2)

4. AMP Circuit Board

(Time required: about 2 minutes)

- 4-1 Remove the rear panel assembly. (See procedure 3.)
- 4-2 Remove the three (3) screws marked [90]. The AMP unit can then be removed. (Fig. 2)

* At this time, be careful not to lose the plate which also comes off.

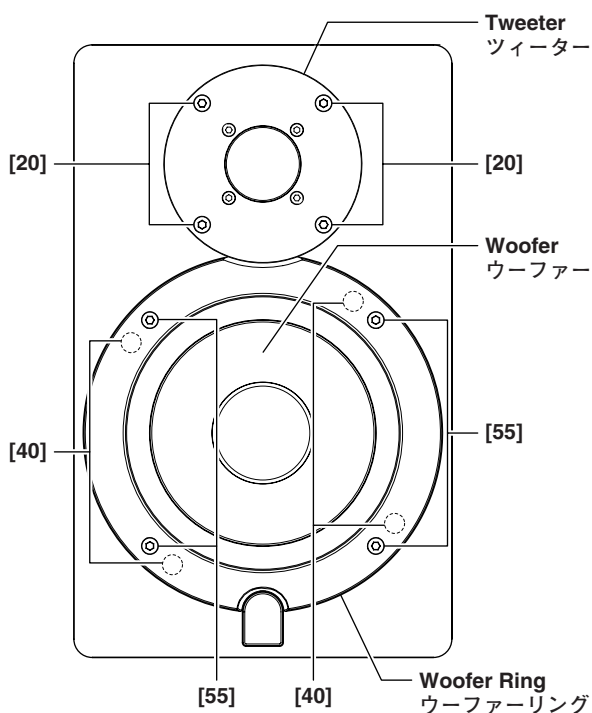


Fig. 1 (図 1)

- [20]: Hexagonal Socket Tapping Screw 4x20 (WG341100) 六角穴付き TP1種
- [40]: Bind Head Tapping Screw 4x16 (WG540200) +バインド TP1種
- [55]: Hexagonal Socket Tapping Screw 4x20 (WG341100) 六角穴付き TP1種

1. ウーファー (所要時間：約1分)

- 1-1 [55]の六角穴付きボルトを4本外し、ウーファーリングを外します。(Fig. 1)
- 1-2 [40]のネジを4本外し、ウーファーを外します。(図1)

2. ツィーター (所要時間：約1分)

[20]の六角穴付きボルトを4本外し、ツィーターを外します。(図1)

3. リアパネルAss'y (所要時間：約1分)

[155]のネジを10本外し、リアパネルAss'yを外します。(図2)

4. AMPシート (所要時間：約2分)

- 4-1 リアパネルAss'yを外します。(3項参照)
- 4-2 [90]のネジを3本外し、AMPユニットを外します。(図2)

* このとき、絶縁シートも同時に外れますのでなくさないよう注意してください。

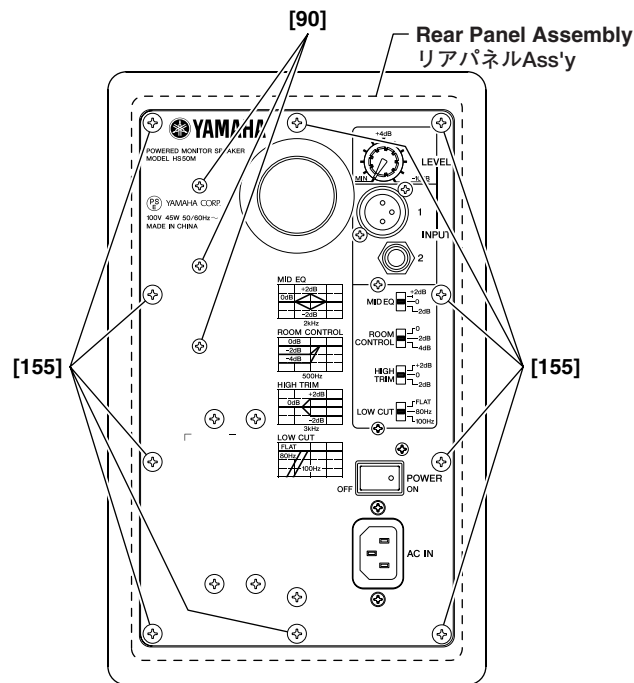


Fig. 2 (図 2)

- [90]: Bind Head Tapping Screw-S 3x10 (WG341400) +バインドSタイト
- [155]: Bind Head Tapping Screw 4x16 (WG540200) +バインド TP1種

- 4-3 Unsolder soldered parts (22 locations) on the pattern side of IC801 and IC802. (Photo. 1)
- 4-4 Remove the two (2) screws marked [A] and remove the heat sink with IC801 and IC802. (Photo. 1)
Remove the two (2) screws marked [B] and remove IC801 and IC802. (Photo. 1)
- 4-5 Remove the four (4) screws marked [C], remove the AMP mounting bracket. The AMP circuit board can then be removed. (Photo. 1)

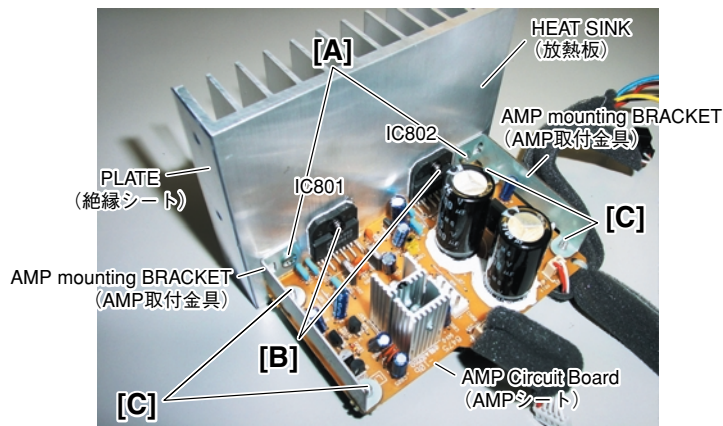


Photo. 1 (写真 1)
<AMP Unit>
<AMPユニット>

- 4-3 IC801とIC802のパターン側のハンダ(22カ所)を外します。(写真1)
- 4-4 [A]のネジ2本を外し、放熱板(IC801、IC802付)を外します。(写真1)
[B]のネジ2本を外し、IC801とIC802を外します。(写真1)
- 4-5 [C]のネジ4本を外し、AMP取付金具を外してAMPシートを取り出します。(写真1)

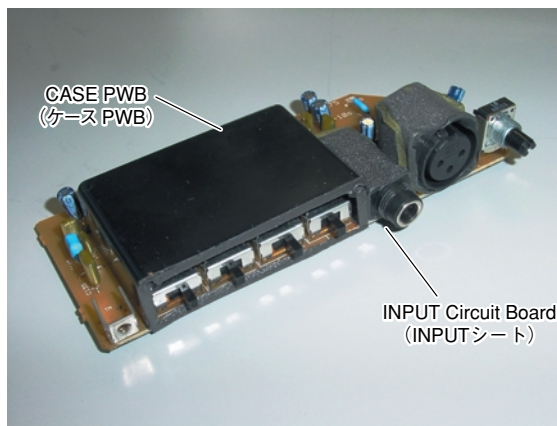


Photo. 2 (写真 2)
<INPUT Assembly>
<Input Ass'y>

5. INPUT Circuit Board

(Time required: about 3 minutes)

- 5-1 Remove the rear panel assembly. (See procedure 3.)
- 5-2 Remove the four (4) screws marked [110] and the screw marked [115]. (Fig. 3)
- 5-3 Remove the LEVEL knob, the hexagonal nut [E] and washer [D]. (Fig. 3, Photo. 5)
- 5-4 Remove the hexagonal nut [F] on the phone type input connector. The INPUT assembly can then be removed. (Photo. 5)
- 5-5 Remove the three (3) screws marked [G] and remove the case PWB. (Photo. 3)
The Input circuit board can then be removed.

* The case PWB is not a component of the INPUT circuit board. When replacing the INPUT circuit board, remove the case PWB and reuse it.

5. INPUTシート (所要時間：約3分)

- 5-1 リアパネルAss'yを外します。(3項参照)
- 5-2 [110]のネジ4本と[115]のネジ1本を外します。(図3)
- 5-3 LEVELつまみと[E]の六角ナットおよび[D]のワッシャを外します。(図3、写真5)
- 5-4 フォンタイプ入力端子の六角ナット[F]を外し、INPUT Ass'yを外します。(写真5)
- 5-5 [G]のネジを3本外してケースPWBを外し、INPUTシートを取り出します。(写真3)
- * ケースPWBはINPUTシートの構成部品ではありません。シート交換時には、取外して使用してください。

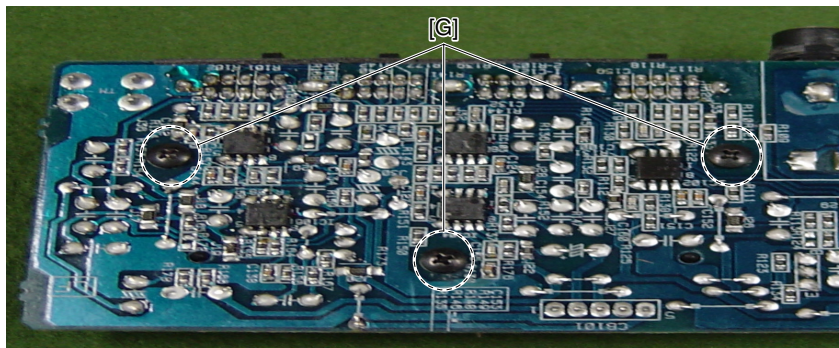


Photo. 3 (写真 3)

6. TRANS Circuit Board and Power Transformer (Time required: about 2 minutes)

- 6-1 Remove the rear panel assembly. (See procedure 3.)
- 6-2 Remove the four (4) screws marked [130]. The TRANS circuit board with the power transformer can then be removed. (Fig. 3)
- 6-3 Unsolder the power transformer mounting solder (6 locations) and separate the power transformer from the TRANS circuit board.
- * The power transformer is not a component of the TRANS circuit board.

7. AC INLET Circuit Board (Time required: about 2 minutes)

- 7-1 Remove the rear panel assembly. (See procedure 3.) Unsold soldered parts (2 locations) of the power switch.
- 7-2 Remove the two (2) screws marked [150]. (Fig. 3)
- 7-3 Unsold the soldered part of the AC inlet grounding wire and remove the AC INLET circuit board. (Photo. 4)

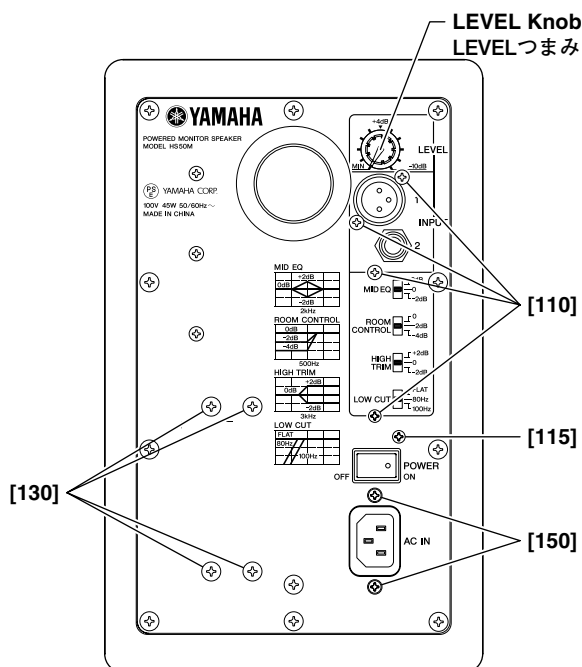


Fig. 3 (図 3)

- [110]: Bind Head Tapping Screw-S 3x10 (WG341400) + バインドSタイト
- [115]: Bonding Tapping Screw-B 3x10 (WH042000) + ボンディングBタイト
- [130]: Bind Head Tapping Screw-S 4x10 (WG341300) + バインドSタイト
- [150]: Bind Head Screw-S 3x15 (WG341500) + バインド小ネジ

6. TRANSシート/電源トランス (所要時間：約2分)

- 6-1 リアパネルAss'yを外します。(3項参照)
- 6-2 [130]のネジを4本外し、TRANSシート(電源トランス付)を外します。(図3)
- 6-3 電源トランス取付ハンダ(6カ所)を外して、TRANSシートと電源トランスを分離します。
- * 電源トランスはTRANSシートの構成部品ではありません。

7. AC INLETシート (所要時間：約2分)

- 7-1 リアパネルAss'yを外します。(3項参照) 電源スイッチのハンダを外します。
- 7-2 [150]のネジを2本外します。(図3)
- 7-3 AC INLETのアース線のハンダを外し、AC INLETシートを外します。(写真4)

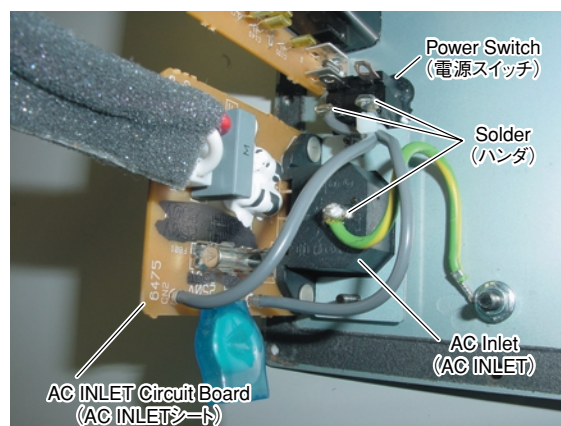


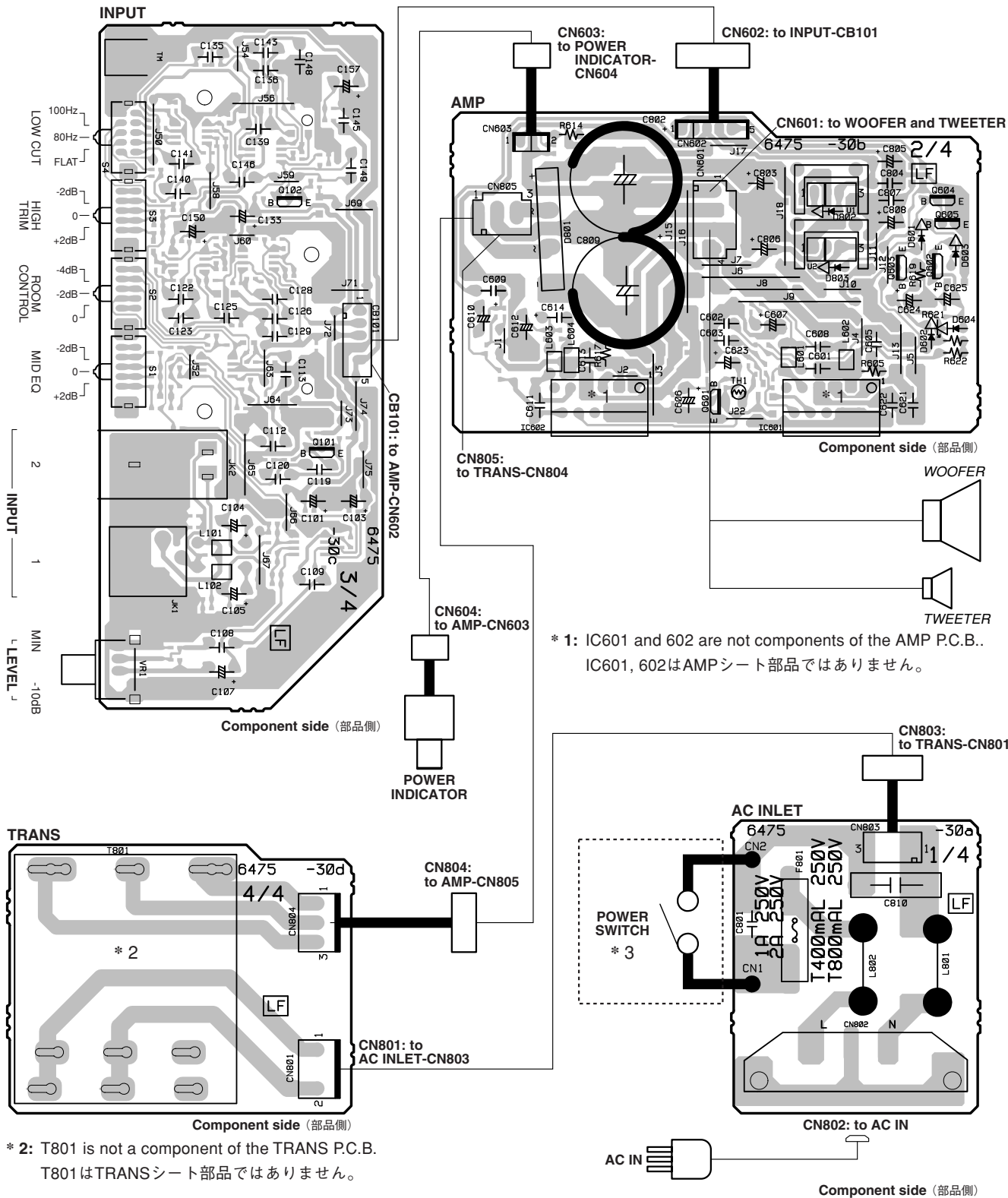
Photo. 4(写真 4)



Photo. 5(写真 5)

CIRCUIT BOARDS (シート基板図)

• HS80M / HS50M



Note) The parts in each P.C.B. vary depending on models, destinations, etc. For the parts information, refer to Parts List.

注意) 各シートはモデル、仕向け等によってシート内部部品が異なります。パーツリストを参照してください。

■ HS80M INSPECTION (検査)

1. Test conditions (試験条件)

- (1) Input Signal: PHONE 1 kHz (WF), 10 kHz (TW)
 入力信号：PHONE 1 kHz(WF)、10 kHz(TW)
- (2) Output load: 4 ohms (WF), 8 ohms (TW)
 出力負荷：4 ohms(WF)、8 ohms(TW)
- (3) AC power supply: AC100 V, 50/60 Hz (J)
 (AC 電源) AC120 V, 60 Hz (U, T)
 AC230 V, 50 Hz (B, H, O)
 AC230 V, 60 Hz (K)
 AC240 V, 50 Hz (A)
- (4) VR-Level: MAX
 MID EQ SW: 0
 ROOM CONTROL SW: 0
 HIGH TRIM SW: 0
 LOW CUT SW: FLAT

2. Specifications (検査)

	ITEM (項目)	INPUT CONDITIONS (入力条件)	OUTPUT CONDITIONS (出力条件)		LIMIT (限界値)
1	OUTPUT POWER (定格出力)		1 % THD OUTPUT	TW	> 30 W
				WF	> 34 W
2	GAIN (利得)	INPUT: PHONE -10 dBu, 10 kHz		TW	26 ± 2 dBu
		INPUT: PHONE -10 dBu, 1 kHz		WF	22 ± 2 dBu
3	T.H.D. (ひずみ率)	INPUT SIGNAL: 10 kHz	15 W OUTPUT	TW	< 0.5 %
		INPUT SIGNAL: 1 kHz	10 W OUTPUT	WF	
4	FREQUENCY RESPONSE (周波数特性)	INPUT SIGNAL: 3.5 kHz	REF: TW OUTPUT 10 kHz 1 W	TW	-3 ± 2 dB
		INPUT SIGNAL: 2 kHz	REF: WF OUTPUT	WF	-3 ± 2 dB
		INPUT SIGNAL: 36.5 Hz	1 kHz, 1 W		4 ± 2 dB
5	TONE-CONTROL CHARACTERISTIC (トーンコントロール特性)	MID EQ SW: -2	REF: MID EQ SW: 0	WF	-2 ± 1.5 dB
		MID EQ SW: +2	INPUT SIGNAL: 2 kHz		+2 ± 1.5 dB
		ROOM CONTROL SW: -2	REF: ROOM CONTROL SW: 0		-2 ± 1.5 dB
		ROOM CONTROL SW: -4	INPUT SIGNAL: 500 Hz		-4 ± 1.5 dB
		HIGH TRIM SW: -2	REF: HIGH TRIM SW: 0	TW	-2 ± 1.5 dB
		HIGH TRIM SW: +2	INPUT SIGNAL: 10 kHz	TW	+2 ± 1.5 dB
		LOW CUT SW: 80 Hz	REF: LOW CUT SW: FLAT INPUT SIGNAL: 80 Hz	WF	-3 ± 2 dB
		LOW CUT SW: 100 Hz	REF: LOW CUT SW: FLAT INPUT SIGNAL: 100 Hz		-3 ± 2 dB
6	RESIDUAL NOISE (残留雑音)	LEVEL VR = MIN.	DIN AUDIO Filter	WF	< -58 dBu
			DIN AUDIO Filter	TW	

(NOTE): 0 dBu = 0.775 V

■ HS50M INSPECTION (検査)

1. Test conditions (試験条件)

- (1) Input Signal: PHONE 1 kHz (WF), 10 kHz (TW)
 入力信号：PHONE 1 kHz(WF)、10 kHz(TW)
- (2) Output load: 4 ohms (WF), 8 ohms (TW)
 出力負荷：4 ohms(WF)、8 ohms(TW)
- (3) AC power supply: AC100 V, 50/60 Hz (J)
 (AC 電源) AC120 V, 60 Hz (U, T)
 AC230 V, 50 Hz (B, H, O)
 AC230 V, 60 Hz (K)
 AC240 V, 50 Hz (A)
- (4) VR-Level: MAX
 MID EQ SW: 0
 ROOM CONTROL SW: 0
 HIGH TRIM SW: 0
 LOW CUT SW: FLAT

2. Specifications (検査)

	ITEM (項目)	INPUT CONDITIONS (入力条件)	OUTPUT CONDITIONS (出力条件)		LIMIT (限界値)
1	OUTPUT POWER (定格出力)		1 % THD OUTPUT	TW	> 16 W
				WF	> 15 W
2	GAIN (利得)	INPUT: PHONE -10 dBu, 10 kHz		TW	24 ± 2 dBu
		INPUT: PHONE -10 dBu, 1 kHz		WF	17 ± 2 dBu
3	T.H.D. (ひずみ率)	INPUT SIGNAL: 10 kHz	8 W OUTPUT	TW	< 0.5 %
		INPUT SIGNAL: 1 kHz	6.5 W OUTPUT	WF	
4	FREQUENCY RESPONSE (周波数特性)	INPUT SIGNAL: 6 kHz	REF: TW OUTPUT 10 kHz 1 W	TW	-3 ± 3 dB
		INPUT SIGNAL: 3 kHz	REF: WF OUTPUT	WF	-3 ± 3 dB
		INPUT SIGNAL: 51 Hz	1 kHz 1 W		1.5 ± 3 dB
5	TONE-CONTROL CHARACTERISTIC (トーンコントロール特性)	MID EQ SW: -2	REF: MID EQ SW: 0	WF	-2 ± 1.5 dB
		MID EQ SW: +2	INPUT SIGNAL: 2 kHz		+2 ± 1.5 dB
		ROOM CONTROL SW: -2	REF: ROOM CONTROL SW: 0		-2 ± 1.5 dB
		ROOM CONTROL SW: -4	INPUT SIGNAL: 500 Hz		-4 ± 1.5 dB
		HIGH TRIM SW: -2	REF: HIGH TRIM SW: 0	TW	-2 ± 1.5 dB
		HIGH TRIM SW: +2	INPUT SIGNAL: 10 kHz		+2 ± 1.5 dB
		LOW CUT SW: 80 Hz	REF: LOW CUT SW: FLAT INPUT SIGNAL: 80 Hz	WF	-3 ± 2 dB
		LOW CUT SW: 100 Hz	REF: LOW CUT SW: FLAT INPUT SIGNAL: 100 Hz		-3 ± 2 dB
6	RESIDUAL NOISE (残留雑音)	LEVEL VR = MIN.	DIN AUDIO Filter	WF	< -58 dBu
			DIN AUDIO Filter	TW	

(NOTE): 0 dBu = 0.775 V

POWERED MONITOR SPEAKER

HS80M/HS50M

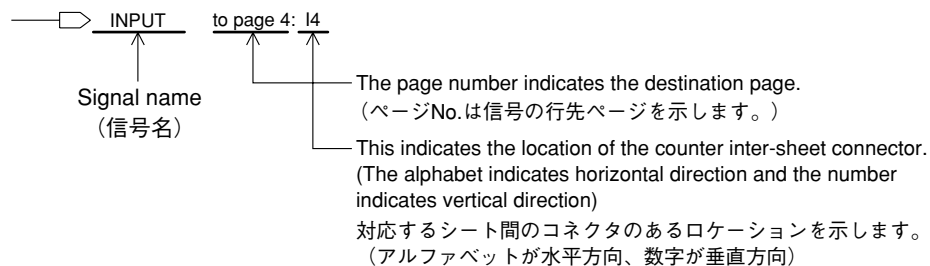
CIRCUIT DIAGRAM

■ CONTENTS (目次)

BLOCK DIAGRAM (ブロックダイアグラム)	2
OVERALL CIRCUIT DIAGRAM (総回路図)	3/5
HS80M	3/4
HS50M	5/6

Notation for Circuit Diagrams (回路図表記上の注意)

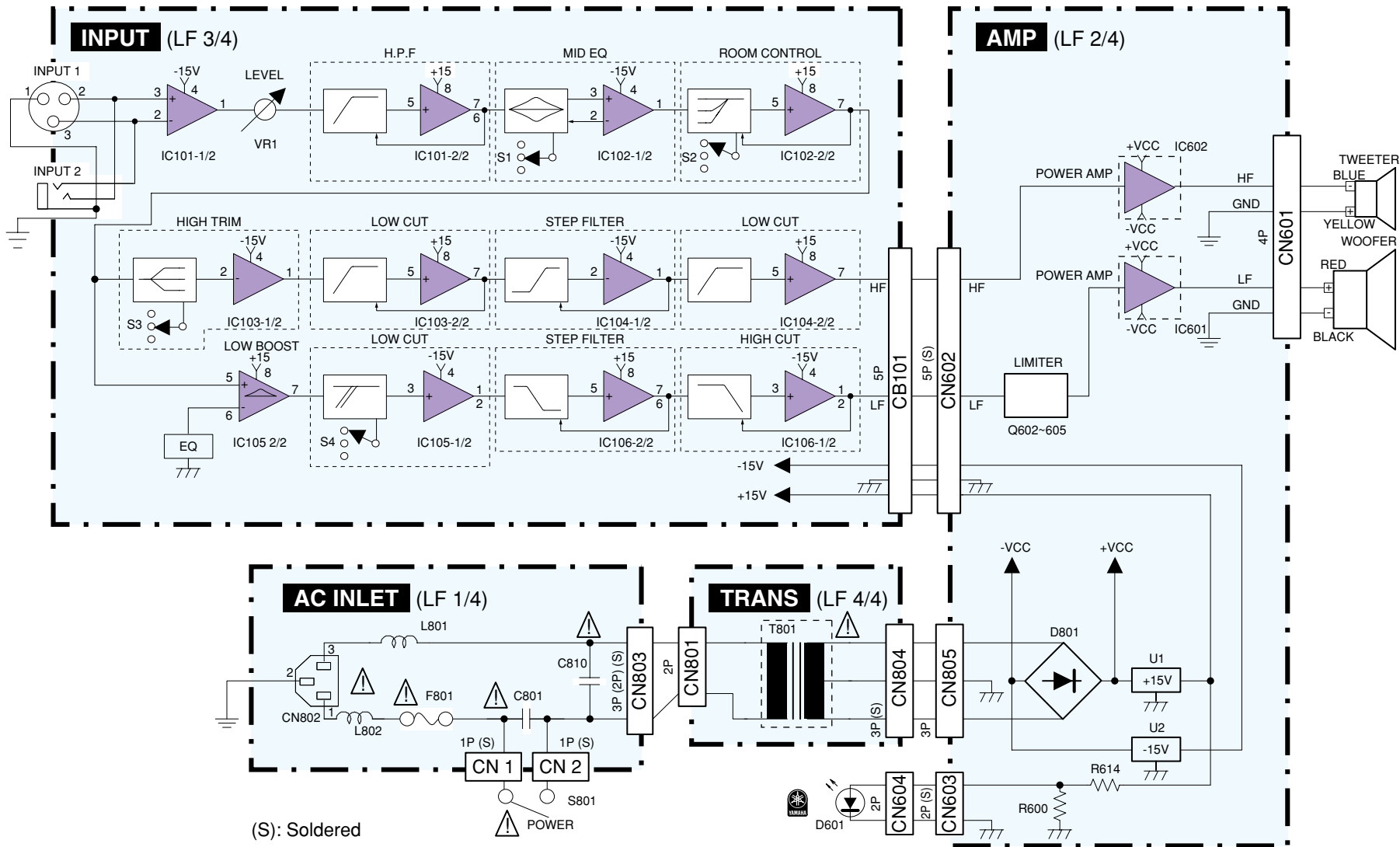
1. How to identify inter-sheet connectors (シート間コネクタの読み方について)



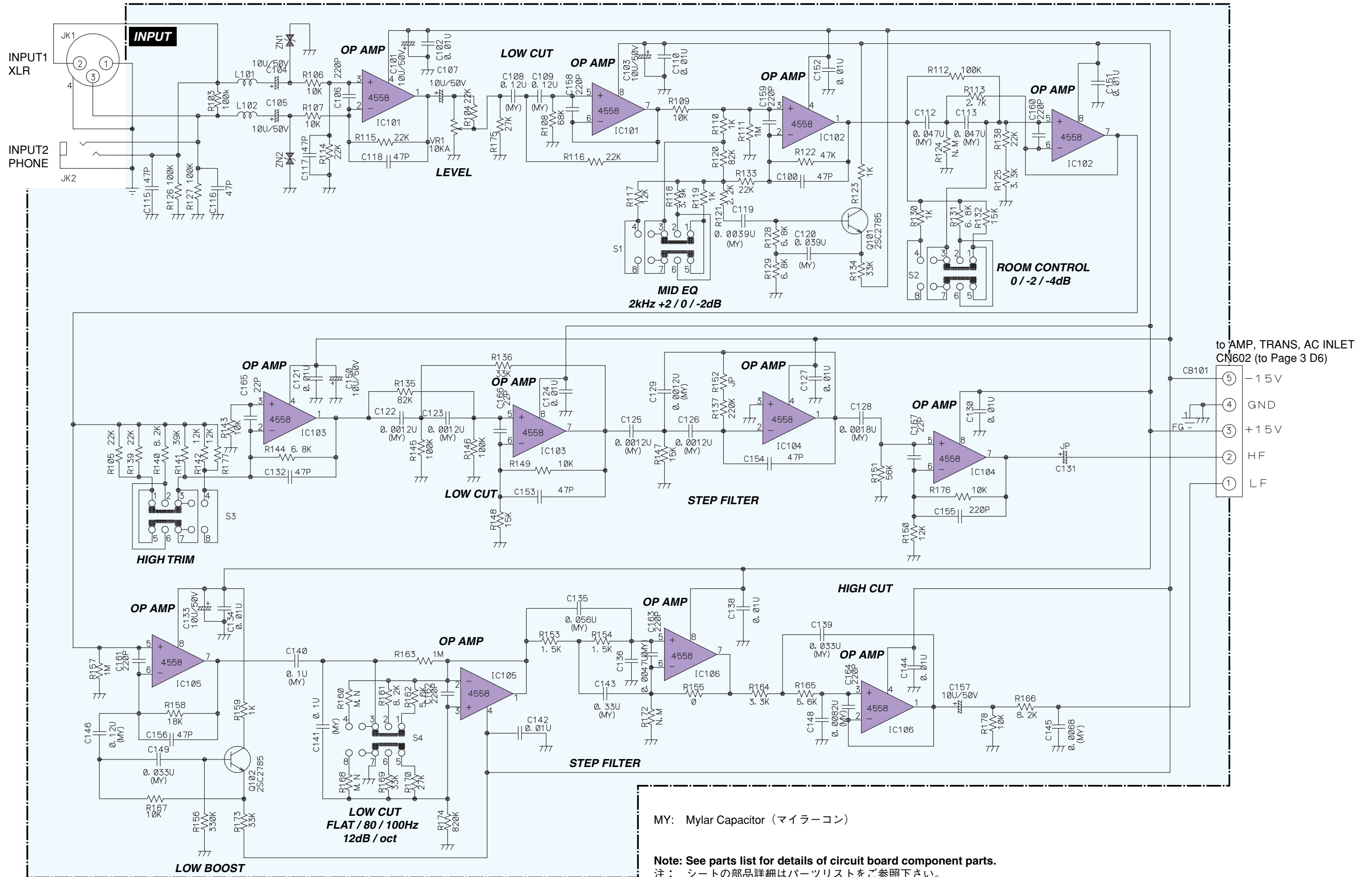
Note: See parts list for details of circuit board component parts.

注：シートの部品詳細はパーツリストをご参照ください。

■ BLOCK DIAGRAM (ブロックダイアグラム)



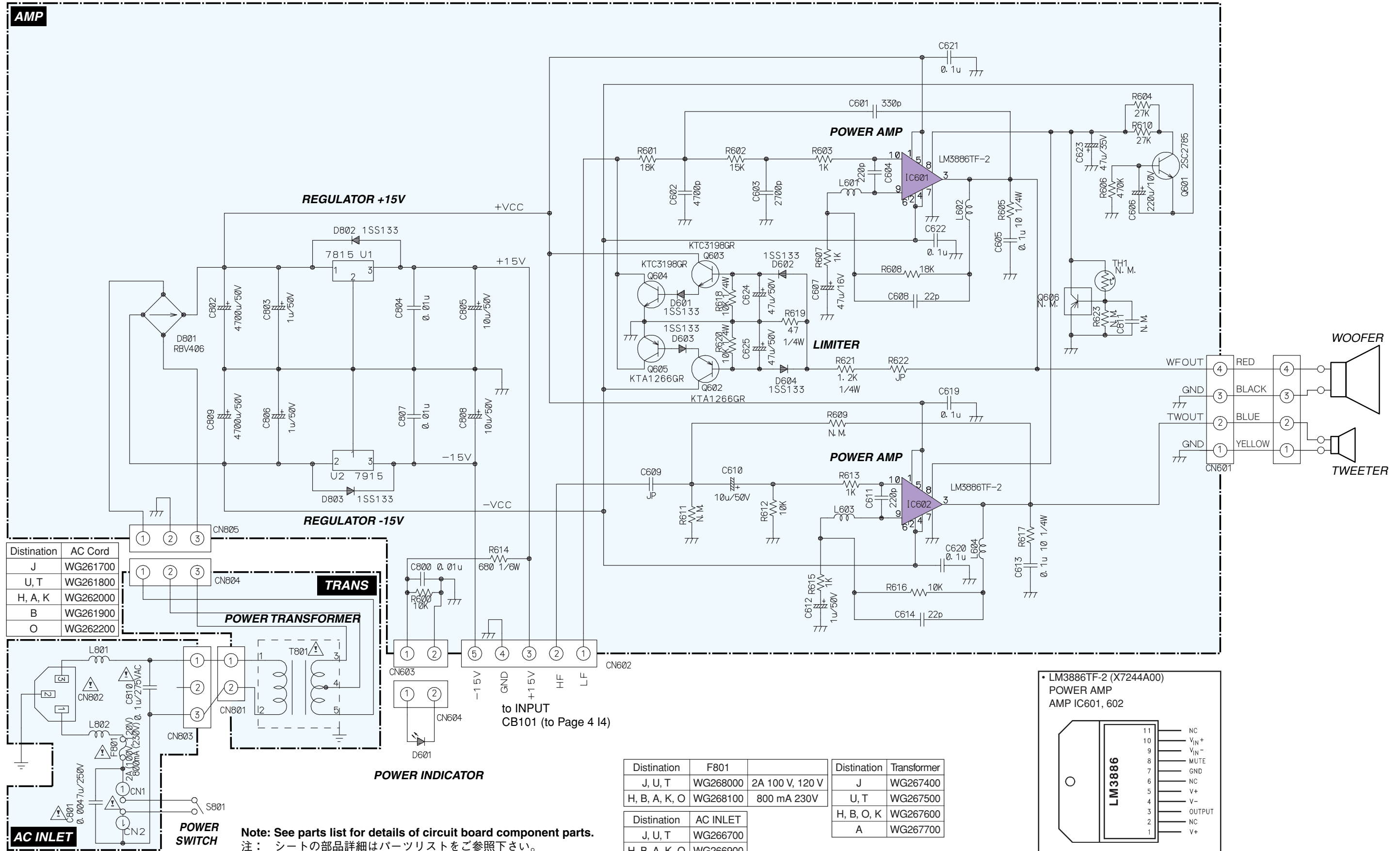
HS80M OVERALL CIRCUIT DIAGRAM 1/2 (INPUT)



MY: Mylar Capacitor (マイラーコン)

Note: See parts list for details of circuit board component parts.
注: シートの部品詳細はパーツリストをご参照下さい。

HS80M OVERALL CIRCUIT DIAGRAM 2/2 (AMP, TRANS, AC INLET)



Distination	AC Cord
J	WG261700
U, T	WG261800
H, A, K	WG262000
B	WG261900
O	WG262200

Distination	F801	
J, U, T	WG268000	2A 100 V, 120 V
H, B, A, K, O	WG268100	800 mA 230V

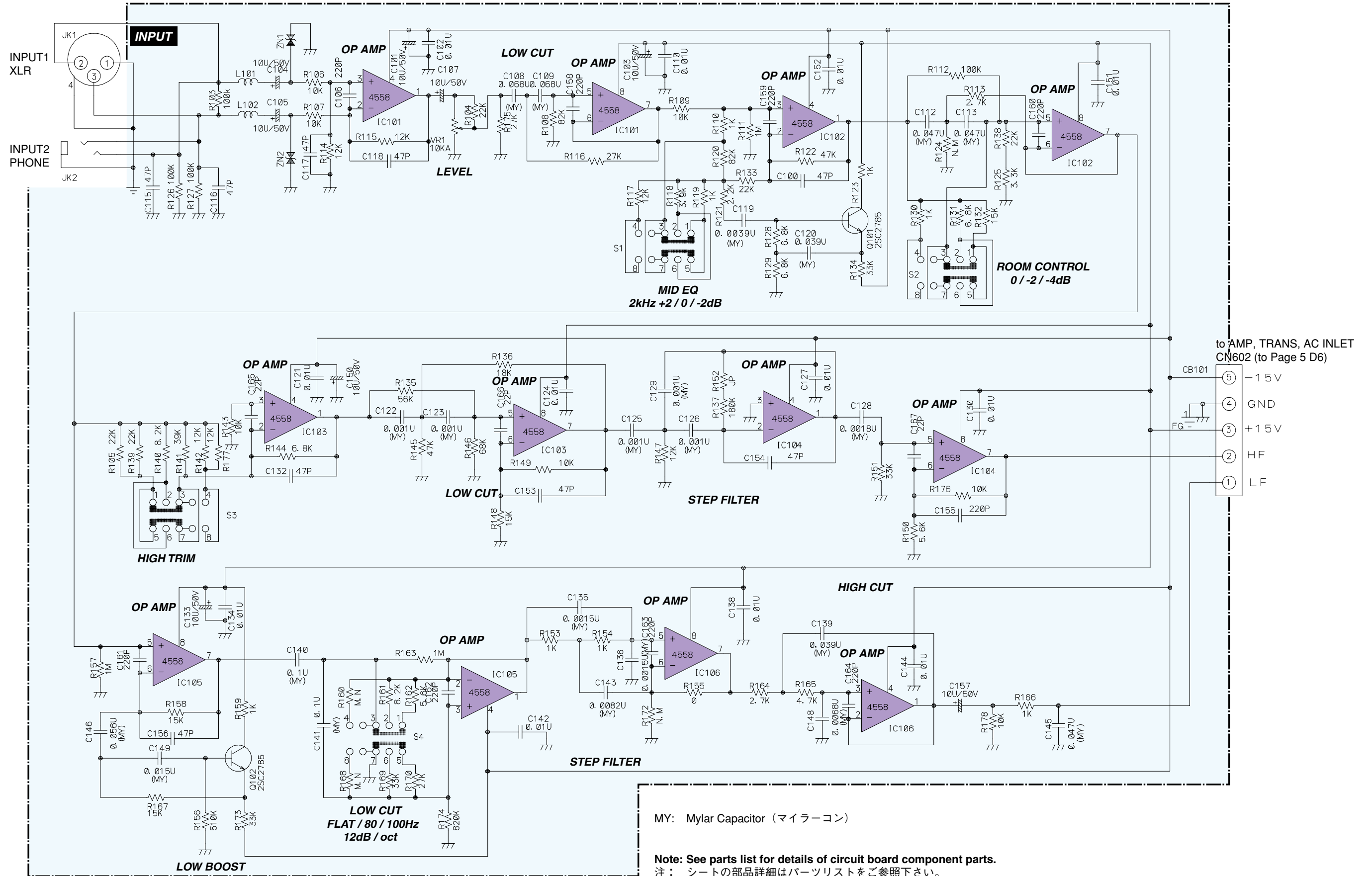
Distination	AC INLET
J, U, T	WG266700
H, B, A, K, O	WG266900

Distination	Transformer
J	WG267400
U, T	WG267500
H, B, O, K	WG267600
A	WG267700

• LM3886TF-2 (X7244A00)
POWER AMP
AMP IC601, 602

Note: See parts list for details of circuit board component parts.
注： シートの部品詳細はパーツリストをご参照下さい。

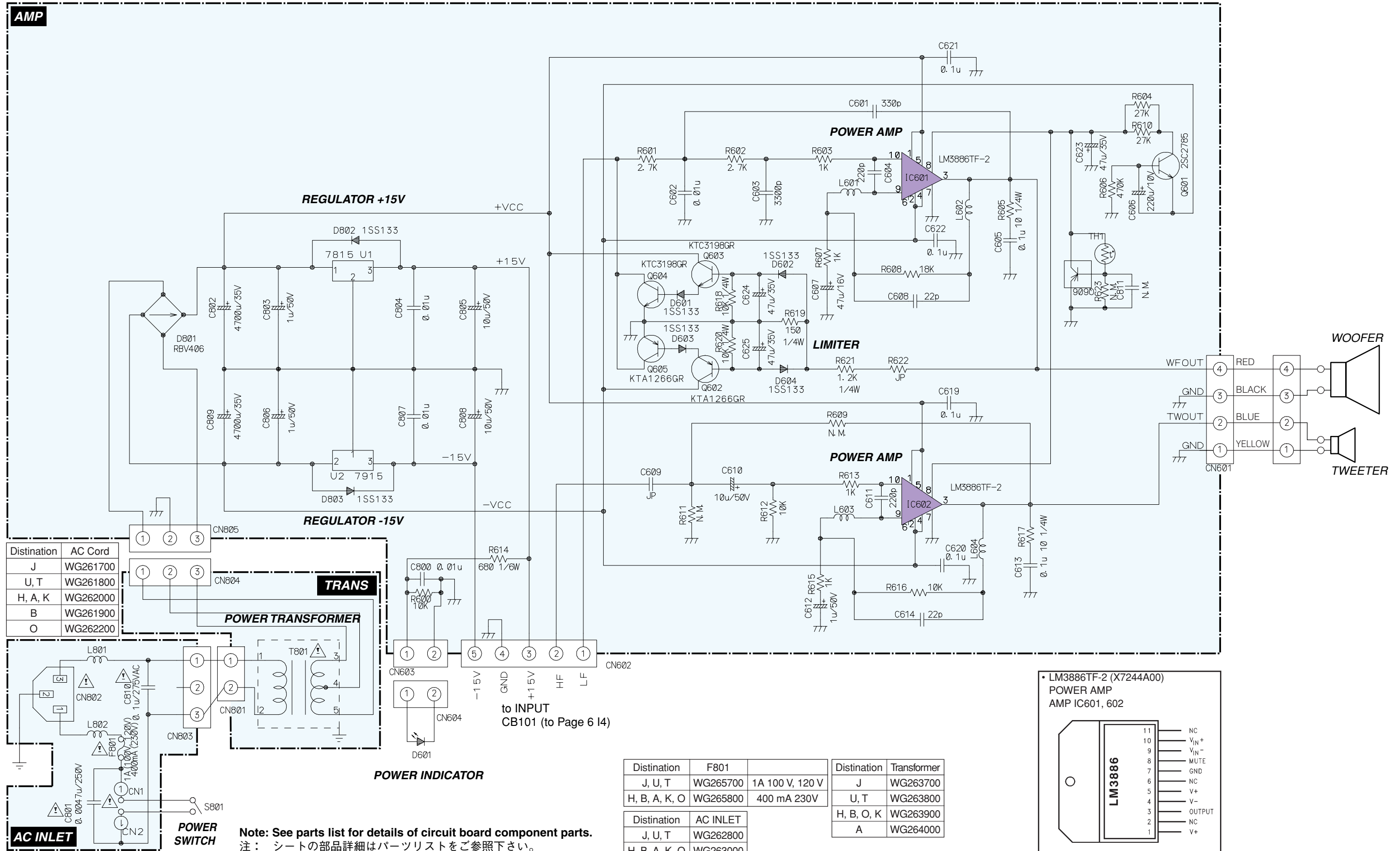
HS50M OVERALL CIRCUIT DIAGRAM 1/2 (INPUT)



MY: Mylar Capacitor (マイラーコン)

Note: See parts list for details of circuit board component parts.
注: シートの部品詳細はパーツリストをご参照下さい。

HS50M OVERALL CIRCUIT DIAGRAM 2/2 (AMP, TRANS, AC INLET)



Distination	AC Cord
J	WG261700
U, T	WG261800
H, A, K	WG262000
B	WG261900
O	WG262200

TRANS

POWER TRANSFORMER

POWER INDICATOR

AC INLET

POWER SWITCH

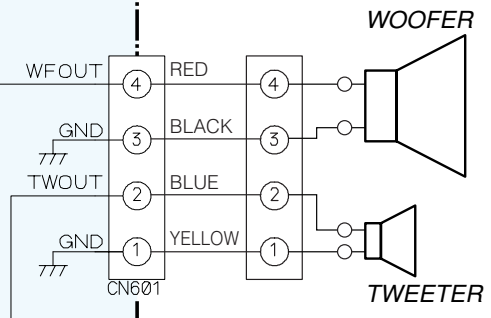
Note: See parts list for details of circuit board component parts.
 注： シートの部品詳細はパーツリストをご参照下さい。

Distination	F801	Transformer
J, U, T	WG265700	1A 100 V, 120 V
H, B, A, K, O	WG265800	400 mA 230V

Distination	AC INLET
J, U, T	WG262800
H, B, A, K, O	WG263000

Distination	Transformer
J	WG263700
U, T	WG263800
H, B, O, K	WG263900
A	WG264000

• LM3886TF-2 (X7244A00)
POWER AMP
 AMP IC601, 602



POWERED MONITOR SPEAKER

HS80M/HS50M

PARTS LIST

■ CONTENTS (目次)

OVERALL ASSEMBLY (総組立)	2/4
HS80M	2
HS50M	4
ELECTRICAL PARTS (電気部品)	3/5
HS80M	3
HS50M	5

Notes: DESTINATION ABBREVIATIONS

A : Australian model	M : South African model
B : British model	O : Chinese model
C : Canadian model	Q : South-east Asia model
D : German model	T : Taiwan model
E : European model	U : U.S.A. model
F : French model	V : General export model (110V)
H : North European model	W : General export model (220V)
I : Indonesian model	N,X: General export model
J : Japanese model	Y : Export model
K : Korean model	

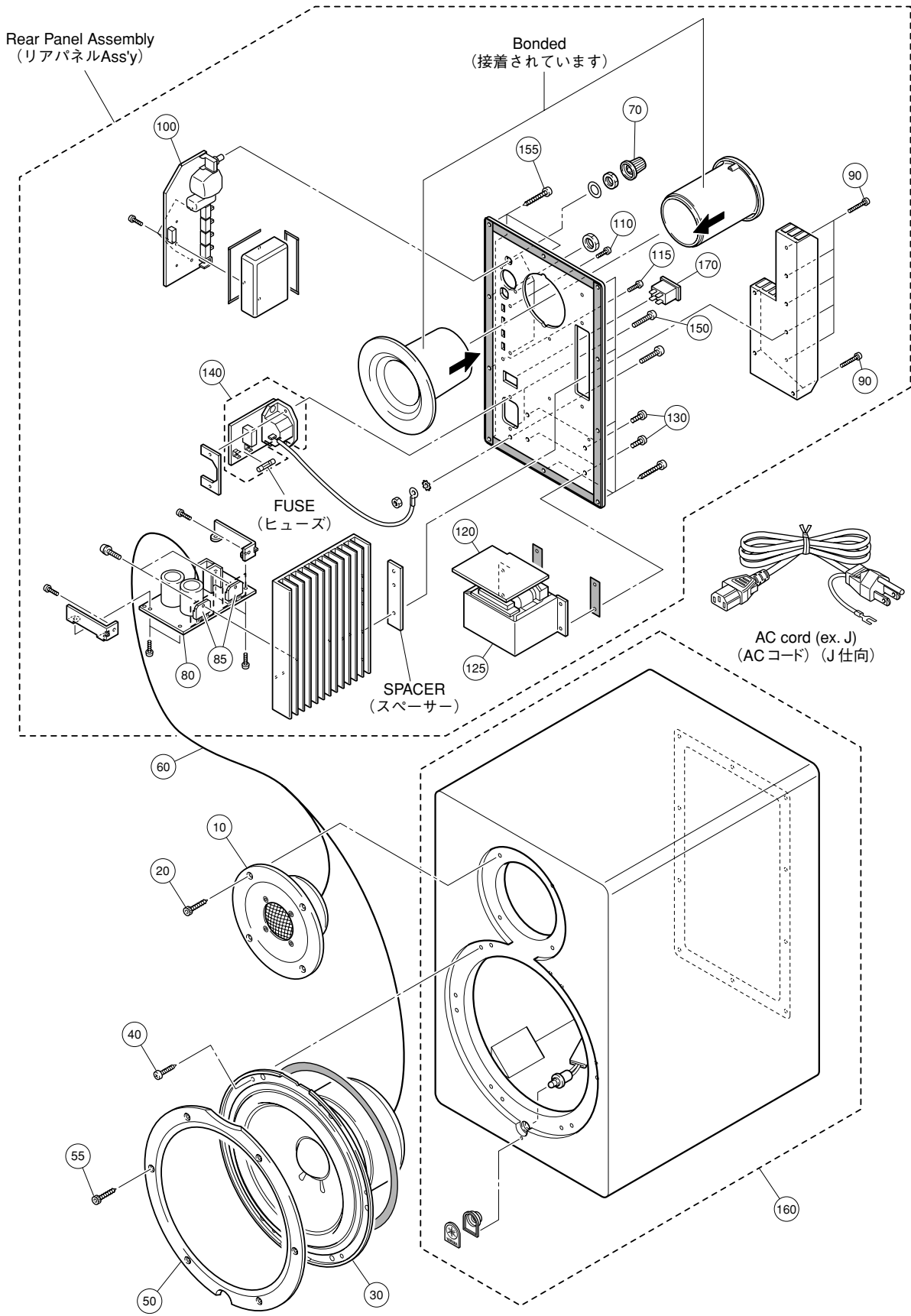
■ WARNING

Components having special characteristics are marked and Δ must be replaced with parts having specification equal to those originally installed.

Δ 印の部品は、安全を維持するために重要な部品です。交換する場合は、安全のために必ず指定の部品をご使用ください。

- The numbers "QTY" show quantities for each unit.
- The parts with "--" in "PART NO." are not available as spare parts.
- This mark "}" in the REMARKS column means these parts are interchangeable.
- The second letter of the shaded (■) part number is O, not zero.
- The second letter of the shaded (■) part number is I, not one.
- 部品価格ランクは、変更になることがあります。
- QTY 欄に記されている数字は、各ユニット当たりの使用個数です。
- PART NO. が "--" の部分は、サービス用部品として準備されておりません。
- REMARKS 欄の "}" マークの部品は、併用部品です。
- 網掛けの付いた PART NO. の 2 番目の文字は「ゼロ」ではなく、「オー」です。
- 網掛けの付いた PART NO. の 2 番目の文字は「イチ」ではなく、「アイ」です。

HS80M OVERALL ASSEMBLY (総組立)

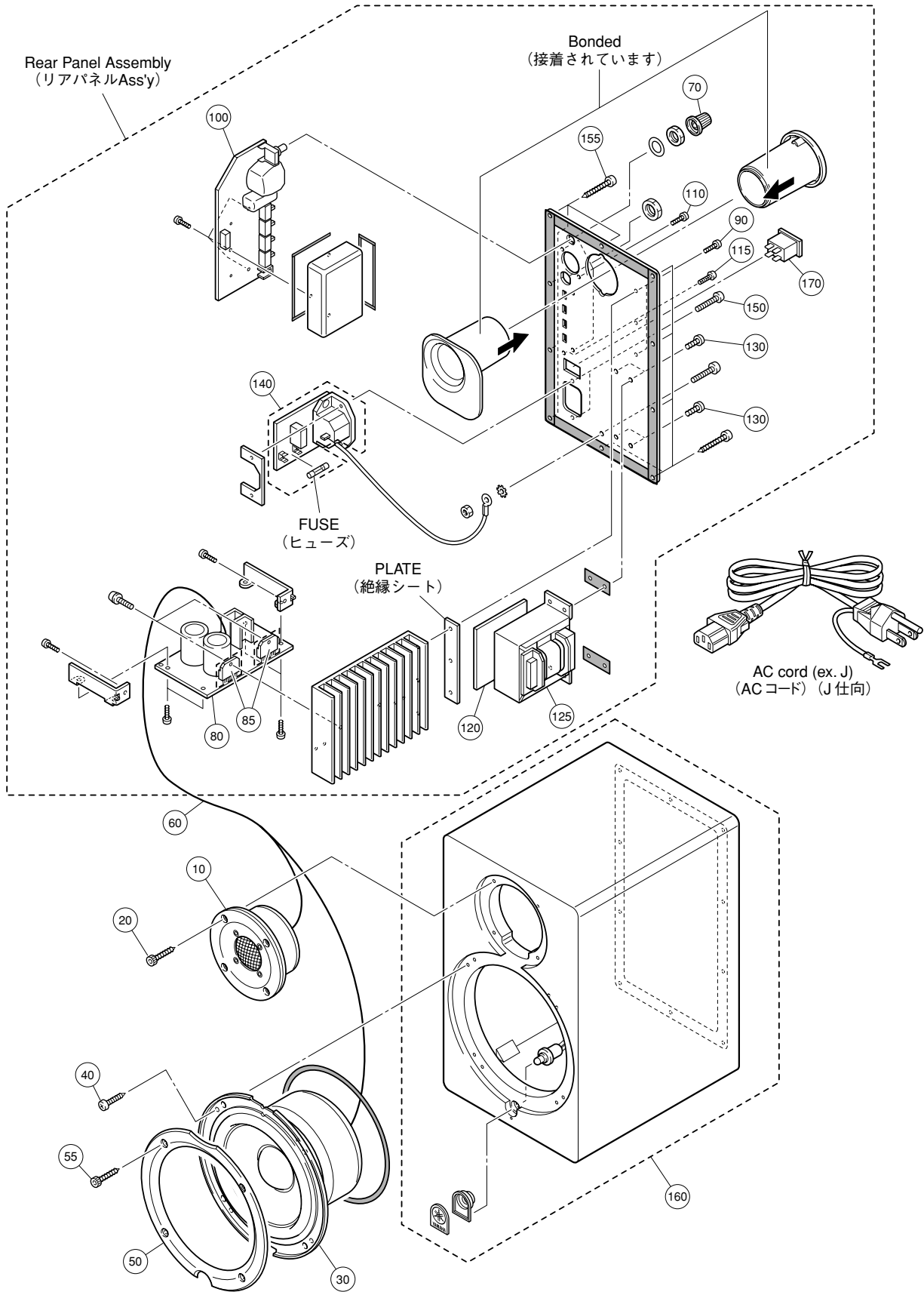


REF NO.	PART NO.	DESCRIPTION	部 品 名	REMARKS	QTY	RANK
		OVERALL ASSEMBLY	総 組 立	HS80M		
	--	Overall Assembly	総 組 立	J (WF74870)		
	--	Overall Assembly	総 組 立	U (WF74880)		
	--	Overall Assembly	総 組 立	H (WF74890)		
	--	Overall Assembly	総 組 立	B (WF74900)		
	--	Overall Assembly	総 組 立	A (WF74910)		
	--	Overall Assembly	総 組 立	K (WF74920)		
	--	Overall Assembly	総 組 立	T (WF74930)		
	--	Overall Assembly	総 組 立	O (WF74940)		
	--	Service Parts Kits	サービスパーツキット	PA 8E60 (WG26820)		
* 10	X7239A00	Speaker	2.5cm 8 OHM 29W	スピーカ	TWEETER (433208)	
* 20	WG341100	Hex.Socket Tapping Screw	4x20	六角穴付き TP1種	(433189)	4
* 30	X7240A00	Speaker	20cm 4 OHM 58W	スピーカ	WOOFER (433183)	
* 40	WG540200	Bind Head Tapping Screw	4x16	十バインドTP1種	(423213)	6
* 50	WG267300	Woofor Ring	BLACK	ウーファーリング	(430753)	
* 55	WG341100	Hex.Socket Tapping Screw	4x20	六角穴付き TP1種	(433189)	6
* 60	WG267200	Cord Assembly		コード Ass'y	CORD SP (430278)	
* 70	WG263100	Knob Black		ノブ レベル	LEVEL (425210)	
* 80	WG266400	Circuit Board	HS80M AMP	A M P シート	(WG26630)(WG26680)	
* 85	X7244A00	IC	LM3886TF	I C	POWER AMP (070286)	2
* 90	WG341600	Bind Head Tapping Screw-S	3x16	十バインドSタイト	(417373)	8
* 100	WG266500	Circuit Board	HS80M INPUT	I N P U T シート	(WG26630)(WG26680)	
* 110	WG341400	Bind Head Tapping Screw-S	3x10	十バインドSタイト	(410798)	4
* 115	WH042000	Bonding Tapping Screw-B	3x10	十ボンディングBタイト	(417370)	
* 120	WG266600	Circuit Board	HS80M TRANS	T R A N S シート	(WG26630)(WG26680)	
* 125	WG267400	Transformer	J	トランスパワー	J (432224)	
* 125	WG267500	Transformer	U/C,T	トランスパワー	U,T (432225)	
* 125	WG267600	Transformer	B,H,CHN	トランスパワー	H,B,O,K (432226)	
* 125	WG267700	Transformer	A	トランスパワー	A (432586)	
* 130	WG341300	Bind Head Tapping Screw-S	4x10	十バインドSタイト	(410794)	4
* 140	WG266700	Circuit Board	HS80M AC INLET	A C I N L E T シート	J,U,T (WG26630)	
* 140	WG266900	Circuit Board	HS80M AC INLET	A C I N L E T シート	H,B,A,K,O (WG26680)	
* 150	WG341500	Bind Head Screw	3x15	十バインド小ネジ	(423328)	2
* 155	WG540200	Bind Head Tapping Screw	4x16	十バインドTP1種	(423213)	10
* 160	--	Cabinet Assembly		エンクロージャ Ass'y	(WG26790)	
* 170	WG263400	Power Switch	381326	シ ー ソ ー S W	POWER (381326)	
		ACCESSRIES		付 属 品	HS80M	
* 175	WG261700	AC Cord	J	A C コ ー ド	J (414427)	
* 180	WG261800	AC Cord	U/C,T	A C コ ー ド	U,T (369532)	
* 190	WG262000	AC Cord	H,A,K	A C コ ー ド	H,A,K (417976)	
* 195	WG261900	AC Cord	B	A C コ ー ド	B (369533)	
* 200	WG262200	AC Cord	CHN	A C コ ー ド	O (414426)	
		ELECTRICAL PARTS		電 気 部 品		
* 205	WG266700	Circuit Board	HS80M AC INLET	A C I N L E T シート	J,U,T (WG26630)	
* 210	WG266900	Circuit Board	HS80M AC INLET	A C I N L E T シート	H,B,A,K,O (WG26680)	
* 215	WG266400	Circuit Board	HS80M AMP	A M P シート	(WG26630)(WG26680)	
* 220	WG266500	Circuit Board	HS80M INPUT	I N P U T シート	(WG26630)(WG26680)	
* 225	WG266600	Circuit Board	HS80M TRANS	T R A N S シート	(WG26630)(WG26680)	
* 230	WG266700	Circuit Board	HS80M AC INLET	A C I N L E T シート	J,U,T (WG26630)	
* 235	WG266900	Circuit Board	HS80M AC INLET	A C I N L E T シート	H,B,A,K,O (WG26680)	
* F801	WG268000	Fuse	2 J.U.	ヒ ュ ー ズ	J,U,T (058991)	
* F801	WG268100	Fuse	800MA S.B.	ヒ ュ ー ズ	H,B,A,K,O (050587)	
* 240	WG266500	Circuit Board	HS80M INPUT	I N P U T シート	(WG26630)(WG26680)	
* JK1	WG265900	Cannon Type Connector	JACK JY-5033L 030	キャノンタイプコネクタ	INPUT1 (431177)	
* JK2	WG266000	Phone Jack	JACK HTJ064-11D	ホンコネクタ	INPUT2 (073961)	
* VR1	WG266100	Rotary Variable Resistor	A 10K XVB12111NPD2	ロ ー タ リ ー V R	LEVEL (425076)	
* S801	WG263400	Power Switch	381326	シ ー ソ ー S W	POWER (381326)	

*: New Parts

RANK: Japan only

HS50M OVERALL ASSEMBLY (総組立)



REF NO.	PART NO.	DESCRIPTION	部 品 名	REMARKS	QTY	RANK
		OVERALL ASSEMBLY		HS50M		
	--	Overall Assembly	HS50M J	総組立 J	(WF74780)	
	--	Overall Assembly	HS50M U	総組立 U	(WF74790)	
	--	Overall Assembly	HS50M H	総組立 H	(WF74800)	
	--	Overall Assembly	HS50M B	総組立 B	(WF74810)	
	--	Overall Assembly	HS50M A	総組立 A	(WF74820)	
	--	Overall Assembly	HS50M K	総組立 K	(WF74830)	
	--	Overall Assembly	HS50M T	総組立 T	(WF74840)	
	--	Overall Assembly	HS50M CHN	総組立 O	(WF74850)	
	--	Service Parts Kits	PA 8E59	サービスパーツキット	(WG26620)	
* 10	X7237A00	Speaker	1.9cm 8 OHM 19W	スピーカ	TWEETER (433207)	
* 20	WG341100	Hex.Socket Tapping Screw	4x20	六角穴付き TP1種	(433189)	4
* 30	X7238A00	Speaker	13cm 4 OHM 38W	スピーカ	WOOFER (433206)	
* 40	WG540200	Bind Head Tapping Screw	4x16	十バインド TP1種	(423213)	4
* 50	WG263600	Woofer Ring	BLACK	ウーファーリング	(430752)	
* 55	WG341100	Hex.Socket Tapping Screw	4x20	六角穴付き TP1種	(433189)	4
* 60	WG263500	Cord Assembly		コード Assy	CORD SP (430277)	
* 70	WG263100	Knob Black		ノブ レベル	LEVEL (425210)	
* 80	WG262400	Circuit Board	HS50M AMP	A M P シート	(WG26230)(WG26290)	
* 85	X7244A00	IC	LM3886TF	I C	POWER AMP (070286)	2
* 90	WG341400	Bind Head Tapping Screw-S	3x10	十バインド S タイ	(410798)	3
* 100	WG262500	Circuit Board	HS50M INPUT	I N P U T シート	(WG26230)(WG26290)	
* 110	WG341400	Bind Head Tapping Screw-S	3x10	十バインド S タイ	(410798)	4
* 115	WH042000	Bonding Tapping Screw-B	3x10	十ボンディング B タイ	(417370)	
* 120	WG262600	Circuit Board	HS50M TRANS	T R A N S シート	(WG26230)(WG26290)	
* 125	WG263700	Transformer	J	トランス パワー	J (432220)	
* 125	WG263800	Transformer	U/C,T	トランス パワー	U,T (432221)	
* 125	WG263900	Transformer	B,H,CHN	トランス パワー	H,B,O,K (432222)	
* 125	WG264000	Transformer	A	トランス パワー	A (432585)	
* 130	WG341300	Bind Head Tapping Screw-S	4x10	十バインド S タイ	(410794)	4
* 140	WG262800	Circuit Board	HS50M AC INLET	A C I N L E T シート	J,U,T (WG26230)	
* 140	WG263000	Circuit Board	HS50M AC INLET	A C I N L E T シート	H,B,A,K,O (WG26290)	
* 150	WG341500	Bind Head Screw	3x15	十バインド小ネジ	(423328)	2
* 155	WG540200	Bind Head Tapping Screw	4x16	十バインド TP1種	(423213)	10
* 160	--	Cabinet Assembly		エンクロージャ Assy	(WG26420)	
* 170	WG263400	Power Switch	381326	シ ー ソ ー S W	POWER (381326)	
		ACCESSRIES		付 属 品	HS50M	
* 175	WG261700	AC Cord	J	A C コ ー ド	J (414427)	
* 180	WG261800	AC Cord	U/C,T	A C コ ー ド	U,T (369532)	
* 190	WG262000	AC Cord	H,A,K	A C コ ー ド	H,A,K (417976)	
* 195	WG261900	AC Cord	B	A C コ ー ド	B (369533)	
* 200	WG262200	AC Cord	CHN	A C コ ー ド	O (414426)	
		ELECTRICAL PARTS		電 気 部 品		
* 205	WG262800	Circuit Board	HS50M AC INLET	A C I N L E T シート	J,U,T (WG26230)	
* 210	WG263000	Circuit Board	HS50M AC INLET	A C I N L E T シート	H,B,A,K,O (WG26290)	
* 215	WG262400	Circuit Board	HS50M AMP	A M P シート	(WG26230)(WG26290)	
* 220	WG262500	Circuit Board	HS50M INPUT	I N P U T シート	(WG26230)(WG26290)	
* 225	WG262600	Circuit Board	HS50M TRANS	T R A N S シート	(WG26230)(WG26290)	
* 230	WG262800	Circuit Board	HS50M AC INLET	A C I N L E T シート	J,U,T (WG26230)	
* 235	WG263000	Circuit Board	HS50M AC INLET	A C I N L E T シート	H,B,A,K,O (WG26290)	
* F801	WG265700	Fuse	1 J.U.	ヒ ュ ー ズ	J,U,T (339124)	
* F801	WG265800	Fuse	400MA S.B.	ヒ ュ ー ズ	H,B,A,K,O (075126)	
* 240	WG262500	Circuit Board	HS50M INPUT	I N P U T シート	(WG26230)(WG26290)	
* JK1	WG265900	Cannon Type Connector	JACK JY-5033L 030	キャノンタイプコネクタ	INPUT1 (431177)	
* JK2	WG266000	Phone Jack	JACK HTJ064-11D	ホンコネクタ	INPUT2 (073961)	
* VR1	WG266100	Rotary Variable Resistor	A 10K XVB12111NPD2	ロ ー タ リ ー V R	LEVEL (425076)	
* S801	WG263400	Power Switch	381326	シ ー ソ ー S W	POWER (381326)	

*: New Parts

RANK: Japan only